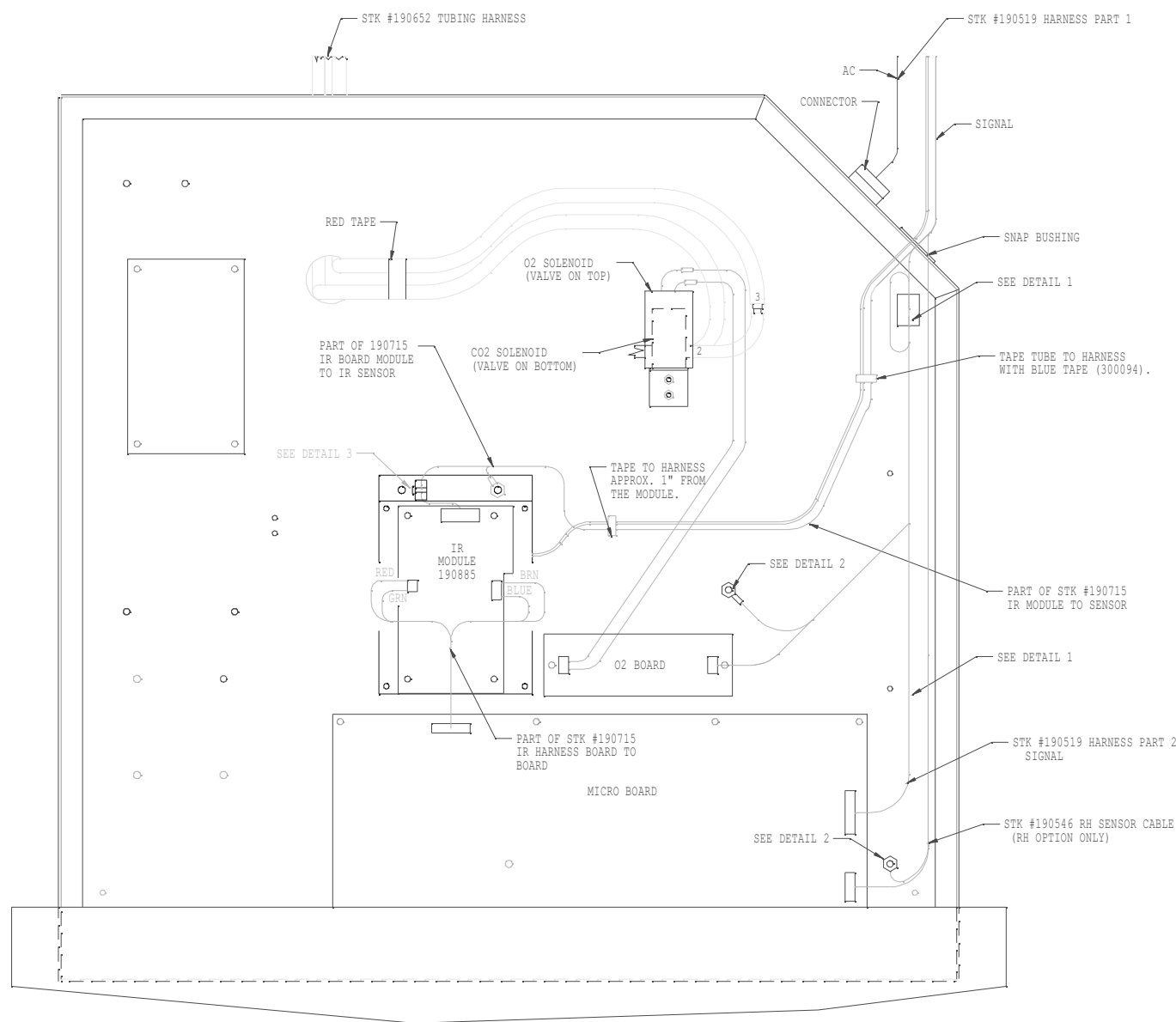
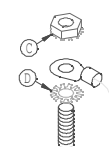


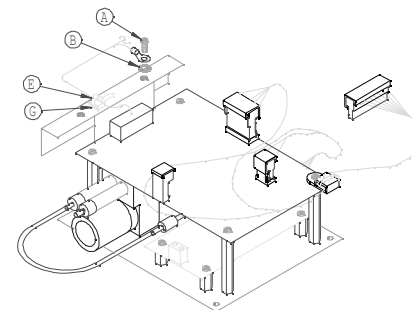
HARDWARE CHART		
A	22049	#6-32 x 3/8 SS PHP SCREW
B	23058	#6 EXTERNAL LOCK WASHER
C	23002	#8-32 KEPS NUT
D	23059	#8 EXTERNAL LOCK WASHER
E	30037	SMALL TIE WRAP
F	440022	PUSH-IN TIE WRAP ANCHOR
G	440002	PUSH-IN ANCHOR



DETAIL 1
LOW VOLTAGE CHAMBER WIRING



DETAIL 2
GROUND WIRING



DETAIL 3
GROUND WIRING



3110120-71-1 CONTROL PANEL INSTALLATION ASSEMBLY

REV	ECN NO.	DATE	BY	CAD/APPD	DESCRIPTION OF REVISION
3	SI-9181	05-17-04	GLM/KDG		CHG'D. 250085 CLIPPARD VALVE TO ASCO
2	SI-8485	05-13-02	GJG/GJG	MSB	CHANGED IR CABLE MOUNTING
1	SI-7897	06-06-00	GJG/GJG	LDN	REVISIONS PER CHANGES FROM "V" RUN
0	SI-7897	04-23-00	GJG/GJG	DNF	RELEASED FOR PRODUCTION

DATE 04-23-00 DWN GJG CAD GJG APPD DNF SCALE 1/2=1

CUSTOMER

JOB TITLE MODULAR INCUBATOR DRAWER INSTALLATION

DWG TITLE ASSEMBLY

LOCATION JOB NUMBER DRAWING NUMBER

3110120-71-0-D

THIS DOCUMENT CONTAINS PROPRIETARY INFORMATION AND SUCH INFORMATION IS NOT TO BE DISCLOSED TO OTHERS FOR ANY PURPOSE NOR USED FOR MANUFACTURING PURPOSES WITHOUT WRITTEN PERMISSION FROM THERMO ELECTRON

Thermo
ELECTRON CORPORATION
Controlled Environment Equipment
Box 649, Marietta, OH 45750