

# UniFlow FM Floor Mounted Fume Hoods

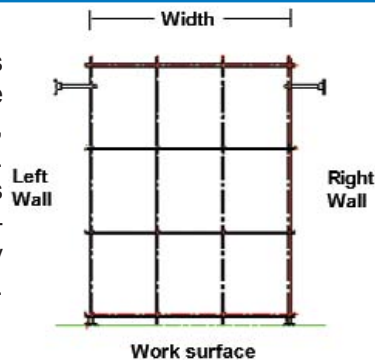
The Air By-Pass Walk-In Hood is ideally suited for synthesis, distillation and other rack type operations where tall apparatus is used or equipment is rolled into the work area.



UniFlow FM (Walk-In) Fume Hood #11050 shown with optional service fixtures, plumbing & electrical, airflow monitor, and distillation apparatus grid. Note: Optional work surface and ramp are available. HEMCO recommends all fume hoods be equipped with an airflow monitor

## Distillation Apparatus Grid

Offered in aluminum, stainless steel, and non-metallic composite plastic. Three sizes for 48", 60", 72" and 96" wide Fume Hoods. Heights are 35". Includes rods and all connectors. Can be doubled-up for larger hoods. Factory installed when ordered with hood. Also, may be field installed.



Hood Width and Catalog Number				
Hood Width	48" Hood	60" Hood	72" Hood	96" Hood
Grid Width for Hood Width	35" Width	46" Width	56" Width	81" Width
1. Aluminum Rod Assy	50141	50151	50161	50181
2. Stainless Steel Assy	50142	50152	50162	50182
3. Plastic/FG Rod Assy	50143	50153	50163	50183

## Designed For Large Scale Lab Experiments

In sizes 48", 60", 72" & 96" widths and depths of 30", 36" & 48". The UniFlow Walk-In Hood accommodates laboratory procedures requiring an increased height work area for floor height equipment such as distillation and other rack type operations where tall apparatus is used or when equipment must be rolled into the work area.

Standard or special sizes are available to meet various applications. Walk-in hoods can be shipped fully assembled or knocked-down for onsite installation.

## Advanced Composite Liner

Advanced composite materials reflect light while minimizing glare, reducing eye strain and allowing greater productivity for laboratory personnel. The liner has a smooth, non-porous surface that ensures efficient air flow, resists chemical discoloration, allows for easy cleaning and reduces contaminant buildup.

## COMPLETE YOUR FUME HOOD INSTALLATION

Designed to offer the complete solution to laboratory ventilation concerns. Integrated components, work together to provide a safe, efficient fume hood system.

### OPTIONAL ACCESSORIES

**Ventilation Systems**  
(Blowers, Filters, Scrubbers)  
see pages 34-39

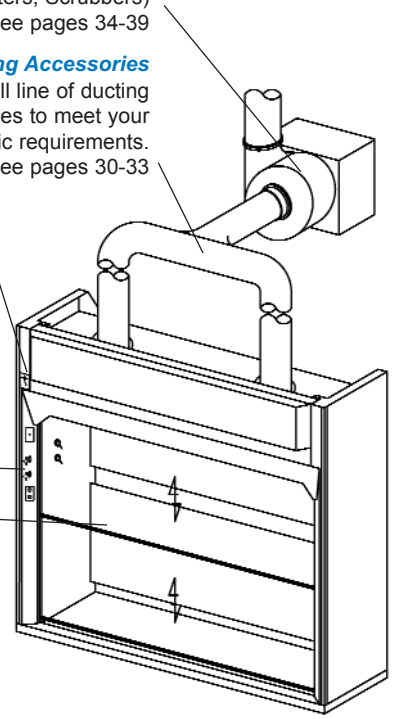
**Ducting and Ducting Accessories**  
HEMCO offers a full line of ducting accessories to meet your specific requirements.  
see pages 30-33

**Airflow Monitors and Sash Stop**  
see page 23

**Plumbing and Electrical Services**  
Factory installed according to your exact specifications  
see pages 27-28.

**Standard Sash**  
upper vertical raising sash with (2) lower hinged doors. Optional sash arrangement: upper and lower vertical raising sashes.

**Optional:** integral phenolic resin work surface.



# UNIFLOW FM Floor Mounted Fume Hoods

SPECIFICATIONS		FUME HOOD WIDTH			
<b>1. Uniflow Walk-in Bypass Fume Hood with Vapor-Proof Light.</b> Superstructure to be modular composite chemical resistant FRP non-metallic construction. Interior fume chamber to be glass smooth with adjustable VaraFlow baffle system and bell shaped exhaust collar. Picture frame upper and lower sash opening with counter balanced upper and lower sashes of clear tempered safety glass with chemical resistant PVC framing, track and aerodynamic sash lift. Can be shipped knocked down for onsite erection. Vapor-proof light fixture and switch prewired to single point junction box, 115 volt, 60Hz AC, All electrical components UL Listed.	HOOD DEPTH E	48"	60"	72"	96"
	30"	Cat. No. 11048	Cat. No. 11050	Cat. No. 11060	Cat. No. 11070
	36"	Cat. No. 11042	Cat. No. 11052	Cat. No. 11062	Cat. No. 11072
	48"	Cat. No. 11043	Cat. No. 11053	Cat. No. 11063	Cat. No. 11073
<b>2. Uniflow Walk-In Bypass Fume Hood with Explosion-Proof Light.</b> Same as #1 above except equipped with explosion-proof vapor-proof light fixture Class I, Group C & D, Class II Group E, F & G electrical fixture installed but not wired, must be wired to comply with local codes. 115 volt, 60Hz AC. For other explosion-proof electrical options see page 29 and explosion-proof exhaust blowers on pages 34-35. All electrical components UL Listed.	30"	Cat. No. 11041	Cat. No. 11051	Cat. No. 11061	Cat. No. 11071
	36"	Cat. No. 11044	Cat. No. 11054	Cat. No. 11064	Cat. No. 11074
	48"	Cat. No. 11045	Cat. No. 11055	Cat. No. 11065	Cat. No. 11075
	<b>3. Phenolic Resin Worksurface</b> Phenolic resin work surfaces are recommended for general laboratory work where high concentrations of solvent, acids and alkalis are being worked with. Work surface combines excellent chemical resistance with superior scratch and wear resistance. Surface is dished to contain spillage. Color: black	30"	Cat. No. 20418	Cat. No. 20518	Cat. No. 20618
36"		Cat. No. 21418	Cat. No. 21518	Cat. No. 21618	Cat. No. 21818
48"		Cat. No. 22418	Cat. No. 22518	Cat. No. 22618	Cat. No. 22818
<b>4. Horizontal Sliding Sash - for 72" &amp; 96" hoods only</b>		FMHS-6 FMHS-8			

## UNIFLOW FM FLOOR MOUNTED FUME HOODS

FUME HOOD SIZES				
A	48"	60"	72"	96"
B	38"	50"	61"	85"
C	24"	30"	36"	(2) 24"
D	10"	10"	12"	(2) 10"
E	30" 36" 48"	30" 36" 48"	30" 36" 48"	30" 36" 48"
F	24" 30" 42"	24" 30" 42"	24" 30" 42"	24" 30" 42"

EXHAUST AIR VOLUME REQUIRED FOR 100 FPM WITH SASH FULLY OPEN			
48"	60"	72"	96"
773 CFM	938 CFM	1162 CFM	1613 CFM
100 FPM WITH SASH 50% OPEN			
385 CFM	474 CFM	592 CFM	800 CFM

### AIRFLOW MONITOR Cat. No. 51406

Continuously monitors face velocity airflow of fume hood. Select and calibrate at desired FPM velocity set point. If the hood face velocity falls below the set point, an audible alarm sounds and a visual red indicator light appears. Airflow alarm is factory installed or can be field installed. 115 volt 60Hz



### SAFETY SASH STOP Cat. No. 51651

Factory installed to specified designated height. Also available for field installation. Vertical moving upper sash available also.

