

# MS Bench SCI 2

Modular LC-MS bench system designed exclusively for SCIEX Triple Quad™ 7500 LC-MS/MS System – QTRAP® Ready

Part Number : See Reverse

Service Kit : See Reverse



Your local **gas generation** partner

## Description

Developed exclusively for SCIEX, the MS Bench SCI 2 range provides a modular workstation with provision for either integrated gas generation or a noise abating enclosure for roughing pumps. MS Bench SCI 2 is designed specifically for use with the SCIEX 7500 LC-MS/MS System.

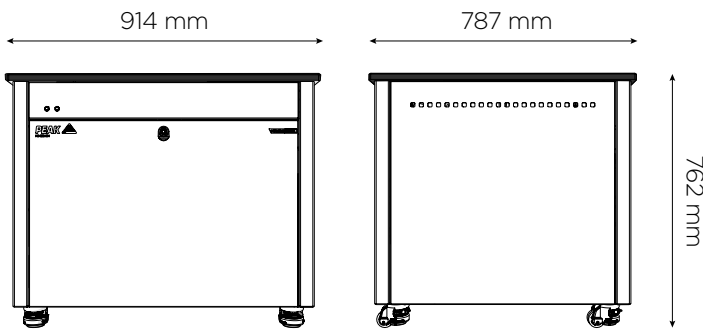
Two variants of the MS Bench SCI 2 are available. MS Bench (G) SCI 2 features a self-contained gas generator, providing a reliable and cost-efficient source of both nitrogen (Curtain Gas™) and clean, dry oil-free air for source and exhaust gas at flows and pressures configured to meet SCIEX 7500 LC-MS/MS System requirements. The other variant, the MS Bench SCI 2, comes without the gas generator, instead providing a compartment below the bench, suitable for housing specific roughing pumps used with 7500 LC-MS/MS.



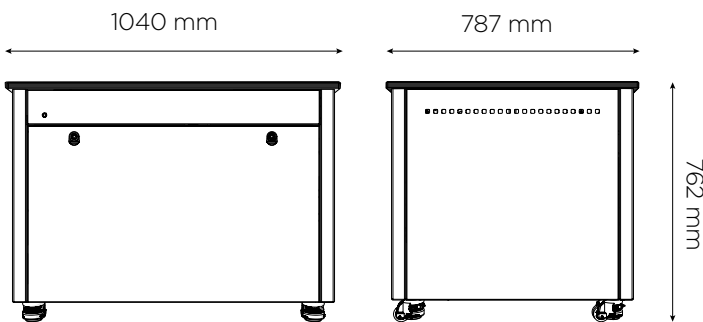
## Applications

- MS Bench (G) SCI 2 for SCIEX Triple Quad™ 7500 LC-MS/MS System instrument
- MS Bench SCI 2 for SCIEX Triple Quad™ 7500 LC-MS/MS System

MS Bench (G) SCI 2



MS Bench SCI 2



## Key Features

- Designed exclusively for SCIEX to provide modular bench solution for SCIEX Triple Quad™ 7500 LC-MS/MS System\*
- Noise abated compartment suitable for housing vacuum pump(s) (non generator variant only)
- 'Genius Inside': true plug & play gas generation (MS Bench (G) SCI 2 only)
- No external compressed air source required.
- Noise & vibration dampening, suitable for use as instrumentation bench
- Fan assisted cooling for vacuum pumps
- Reclassifier vent preventing internal condensation (MS Bench (G) SCI 2 only)
- CSA / FCC / CE compliant
- Chemical-resistant phenolic resin worktop
- Levelling castor wheels for seamless installation with existing lab bench system

\*For other SCIEX LC-MS instrument gas solutions see MS Bench (G) SCI 1, MS Bench SCI 1 and Genius 1024.

Technical Specifications	MS Bench SCI 2	MS Bench (G) SCI 2
Minimum Operating Ambient Temperature	5°C (41°F)	
Maximum Operating Ambient Temperature	30°C (86°F)	
Curtain Maximum Flow <sup>^</sup>	N/A	25 L/min @ 4.1 bar (0.88 cfm @ 60 psi)
Source Maximum Flow <sup>^</sup>		26 L/min @ 6.9 bar (1.13 cfm @ 100 psi)
Exhaust Maximum Flow <sup>^</sup>		25 L/min @ 4.8 bar (0.88 cfm @ 70 psi)
Particles		<0.01µm
Phthalates		None
Suspended Liquids		None
Electrical Requirements	IO: 85-264 VAC 50/60 Hz, 1 Amps	220 - 240v ±10% 50/60 Hz, 7 Amps
Power Consumption	240VA	1,800VA
Maximum Heat Output	196 BTU/hr	3753 BTU/hr
Noise Level	Noise abating <60±1dB(A)	60dB(A)
Usable Compartment Space (H x W x D)	530 x 360 x 470 mm 22.8 x 25.6 x 18.5"	N/A
MS Bench Dimensions (H x W x D)	762x1040x787mm 30x41x31"	762 x 914 x 787mm 30 x 36 x 31"
MS Bench Weight	103kg (227.08 lbs)	160kg (352.75 lbs)
Max Weight Load	239 kg (526.91lbs)	206 kg (454.16lbs)

<sup>^</sup>NOTE - These performance characteristics are valid only when paired with an approved Sciex application. Please refer to current application matrix for a list of supported products.

Ordering Information		
Part Number	3303000	3302770
Annual Service	<b>visit:</b> <a href="http://www.peakscientific.com/ordering">www.peakscientific.com/ordering</a>	
Complete Maintenance Plan		

## [PEAK Protected]<sup>TM</sup>

Peak Scientific gas generators define the benchmark in reliability, convenience and performance in laboratories around the world, and come backed by a 12 month warranty. Beyond this period, however, you can ensure that your investment continues to be **[Protected]** by our comprehensive generator care cover.

Our world-class aftercare support packages deliver a program of scheduled preventative maintenance whilst giving you the reassurance of instant access to worldwide technical support and priority on-site response in the untimely event of a breakdown.

Peak Scientific UK  
 Tel: +44 (0)141 812 8100  
 Fax: +44 (0)141 812 8200

Peak Scientific North America  
 Tel: +1-800-767-6532  
 Fax: +1-978-608-9503

Peak Scientific China  
 Tel: +86 21 5079 1190  
 Fax: +86 21 5079 1191  
 For a full list of our worldwide office locations, please visit:

Web: [www.peakscientific.com](http://www.peakscientific.com)  
 Email: [discover@peakscientific.com](mailto:discover@peakscientific.com)

Peak Scientific's Quality Management System conforms to: ISO:9001:2008

